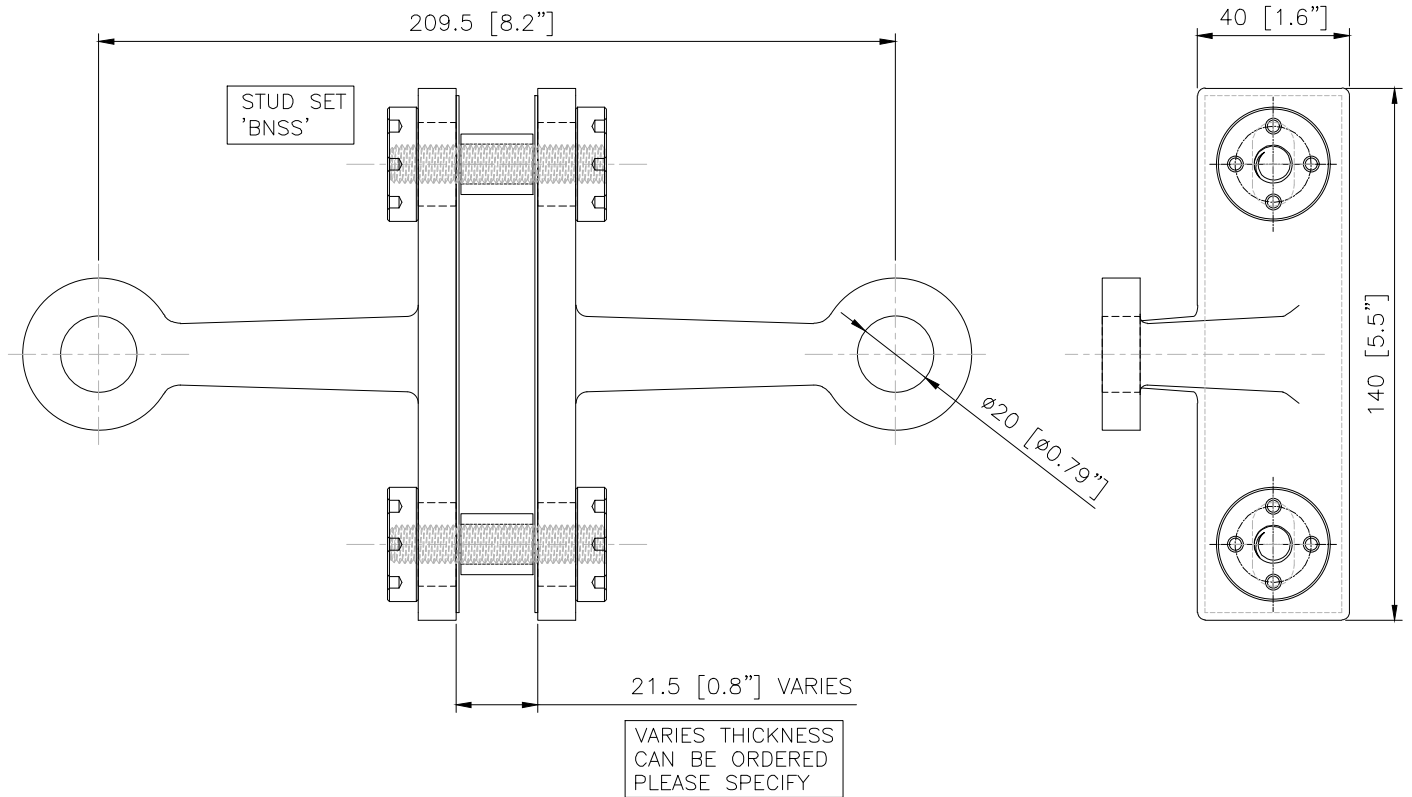


A

B



10-1-180 (ASSEMBLY)	
MATERIAL:	316 STAINLESS STEEL (CF8M CAST GRADE) SPIDER CONECTOR SHOWN 12-1-180 (2) 2way 180 DEGREE Splcing point fixed connector
FINISH: (options)	BRUSHED FINISH POLISHED FINISH PAINTED FINISH
GLASS CONNECTION	ARTICULATING COUNTERSUNK ABJ COUNTERSUNK FITTING AVAILABLE OR STATIC FITTING AVAILABLE. ARTICULATING STEMS ARE AVAILABLE VARIOUS SIZES LENGTHS AND DIAMETER DEPENDING ON ENGINEERING REQUIREMENTS.
STUD SETS TYPE	3 TYPES OF STUD SET AVAILABLE 'BNSS' SHOWN. 'BN2SS' AND 'SSA' AVAILABLE.
FINISH:	MACHINE FINISH (OR SPECIFIED)
GROMMET GLASS ISOLATOR	COUNTERSUNK ACETAL GROMMET BLACK FINISH
GASKET GLASS ISOLATOR	GRAY TEADIT GASKET 0.8mm (1/32") GRAY FINISH NA-1122 (PART NO. G-TED-NP-12-1-0.8)

THESE DRAWINGS ARE FOR INFORMATION
AND CAN NOT BE DEEMED AS
ENGINEERED FOR USE IN PROJECT
WITH OUT ENGINEERING CERTIFICATION.

NUPRESS GROUP NORTH AMERICA



NUPRESS | FACADES

Part No:

10-1-180

A

B