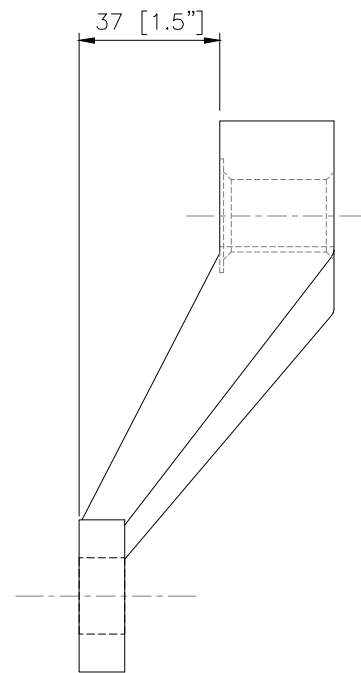
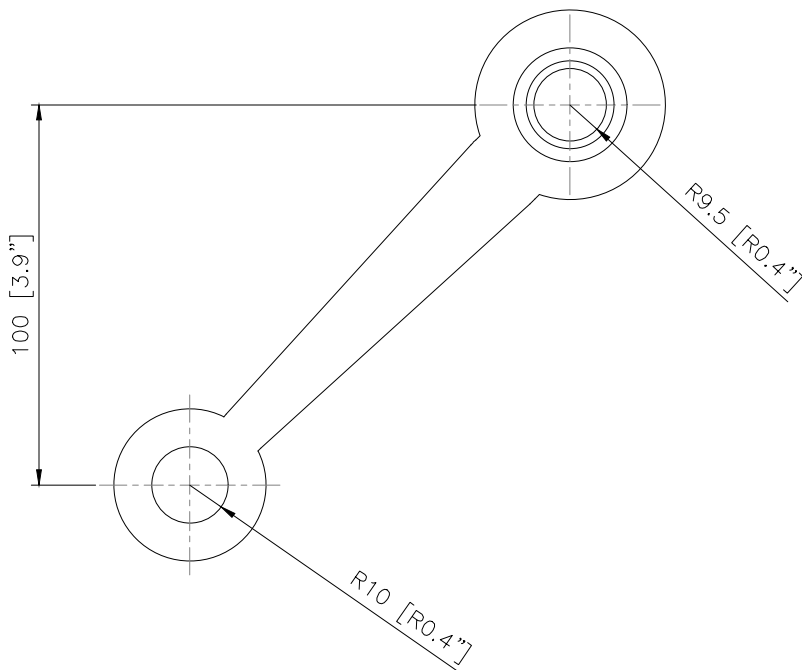
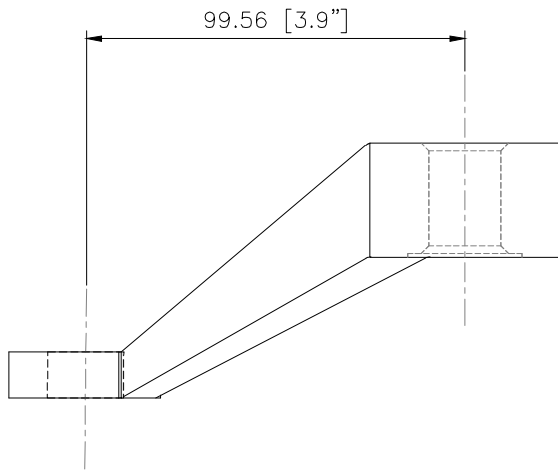


A

B



11-1-90	
MATERIAL: (options)	316 STAINLESS STEEL 2205 DUPLEX STAINLESS STEEL
FINISH: (options)	BRUSHED FINISH POLISHED FINISH PAINTED FINISH
ADDITIONAL OPTIONS:	ANTI-ROTATION PIN

NUPRESS GROUP NORTH AMERICA



NUPRESS | FACADES

Part No: **11-1-90**

A

B