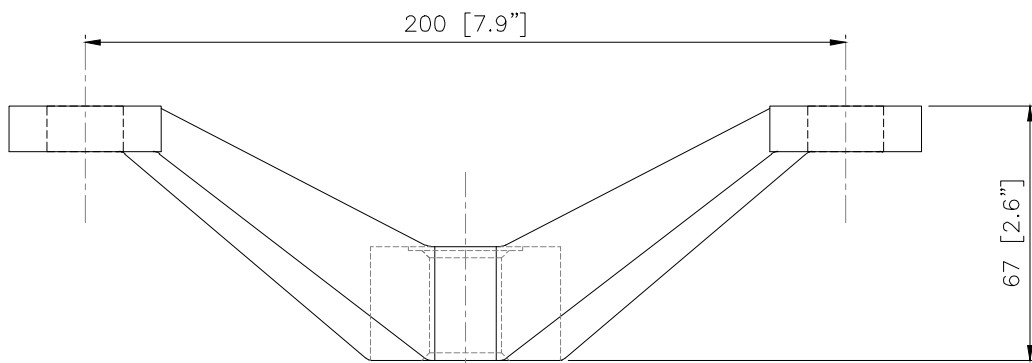
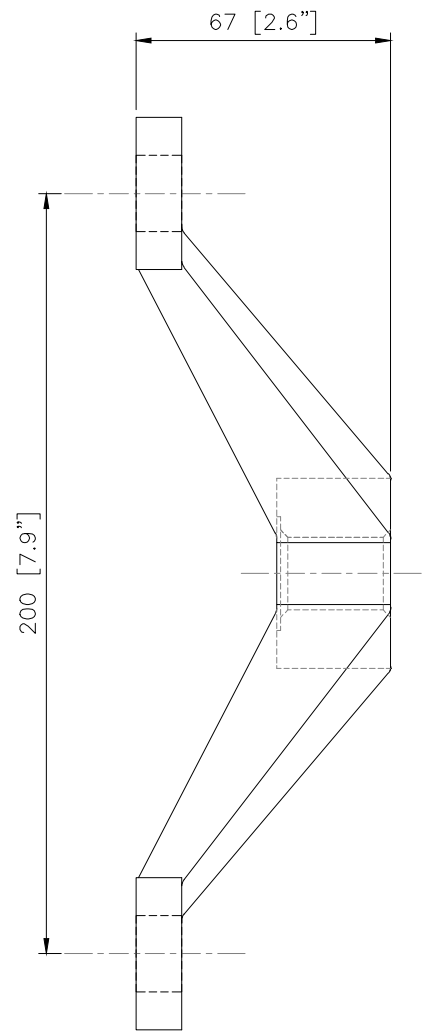
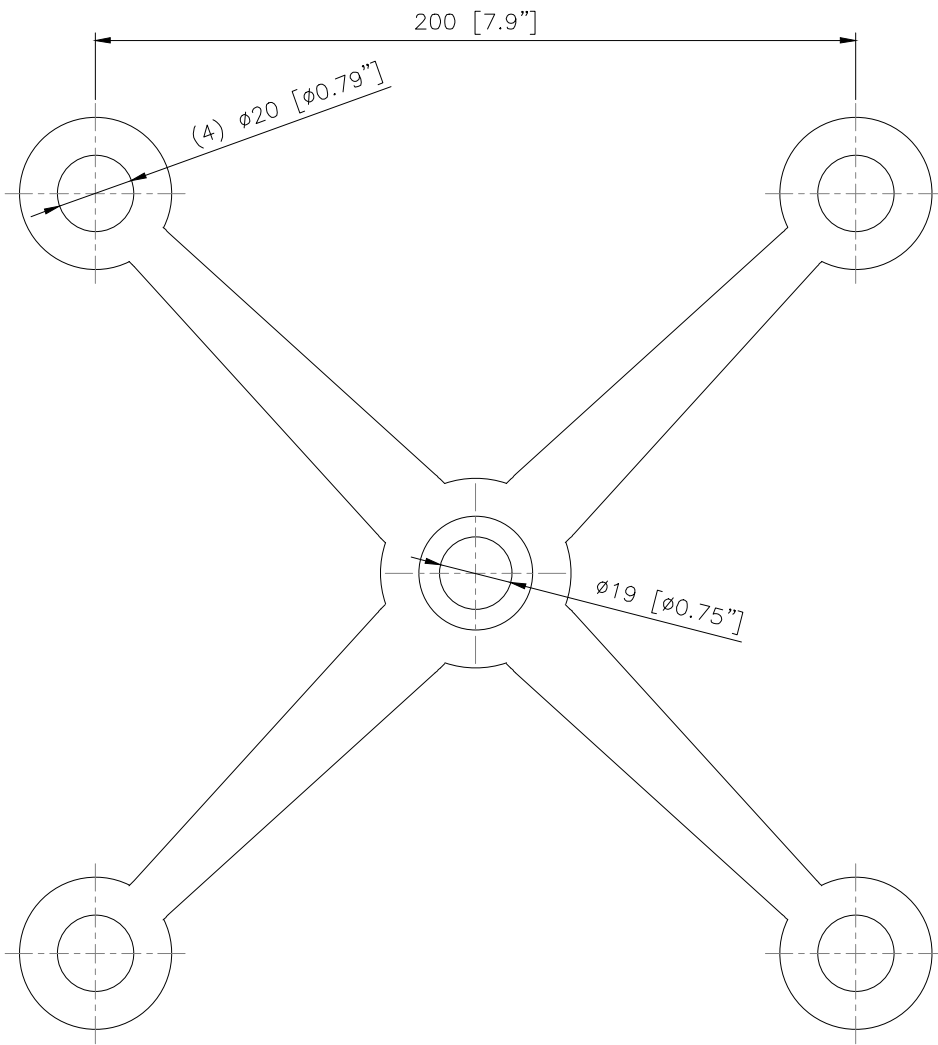


A

B



11-4-90

MATERIAL: (options)

316 STAINLESS STEEL
2205 DUPLEX STAINLESS STEEL

FINISH: (options)

BRUSHED FINISH
POLISHED FINISH
PAINTED FINISH

ADDITIONAL
OPTIONS:

ANTI-ROTATION PIN

NUPRESS GROUP NORTH AMERICA



NUPRESS | FACADES

Part No:

11-4-90

A

B