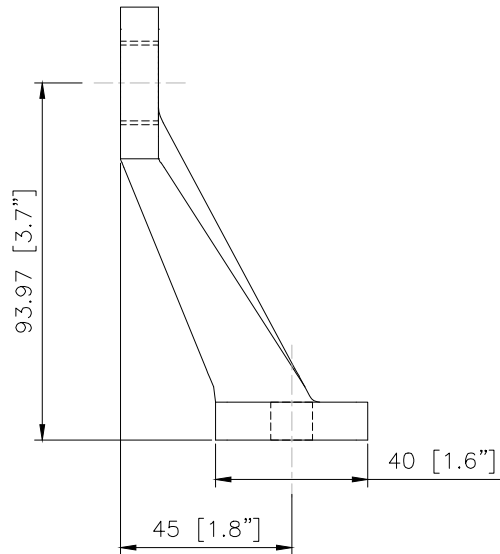
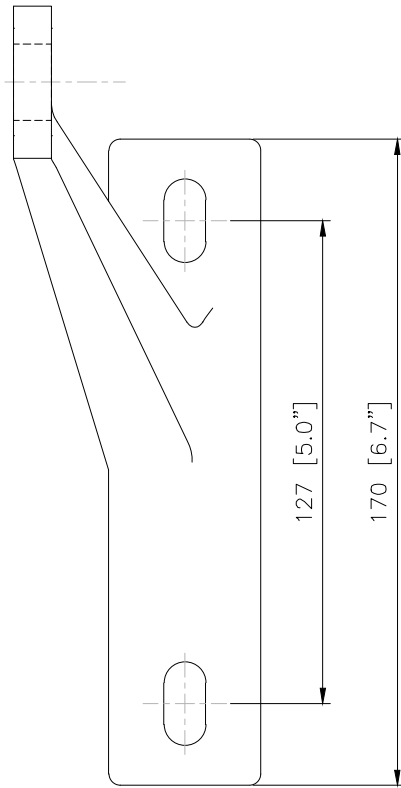
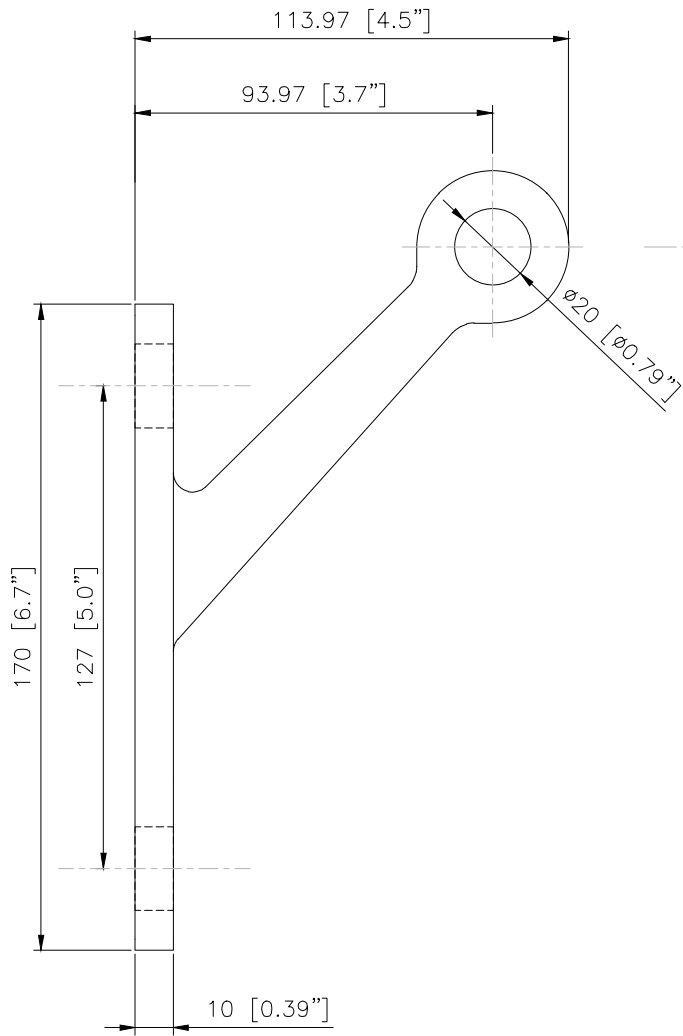


A

B



12-1-90L	
MATERIAL: (options)	316 STAINLESS STEEL 2205 DUPLEX STAINLESS STEEL
FINISH: (options)	BRUSHED FINISH POLISHED FINISH PAINTED FINISH

NUPRESS GROUP NORTH AMERICA



Part No: **12-1-90L**

A

B