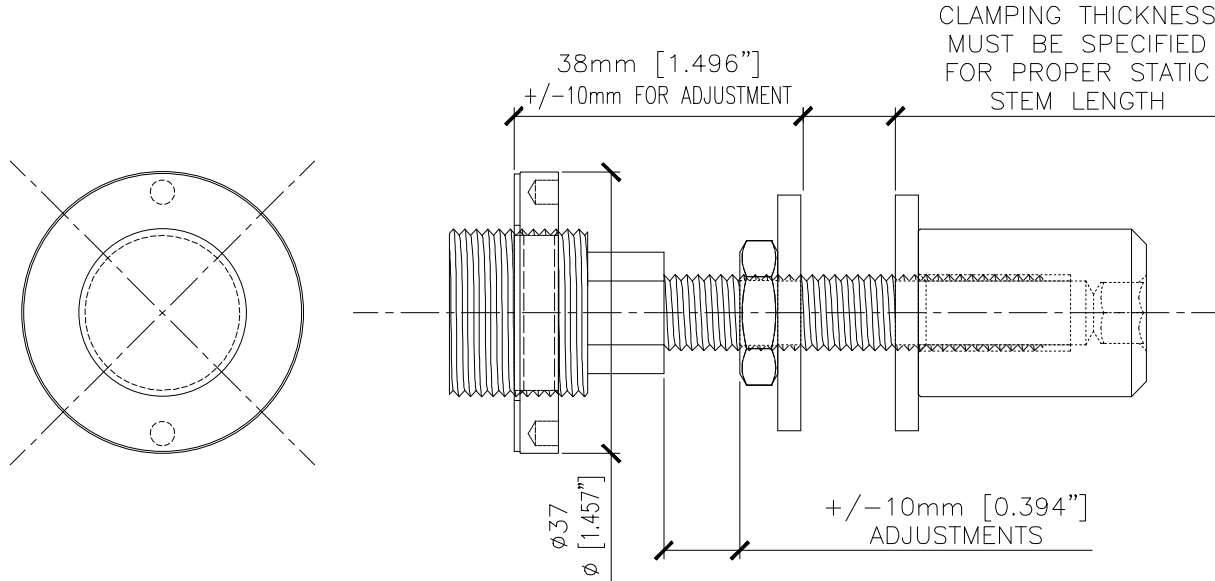
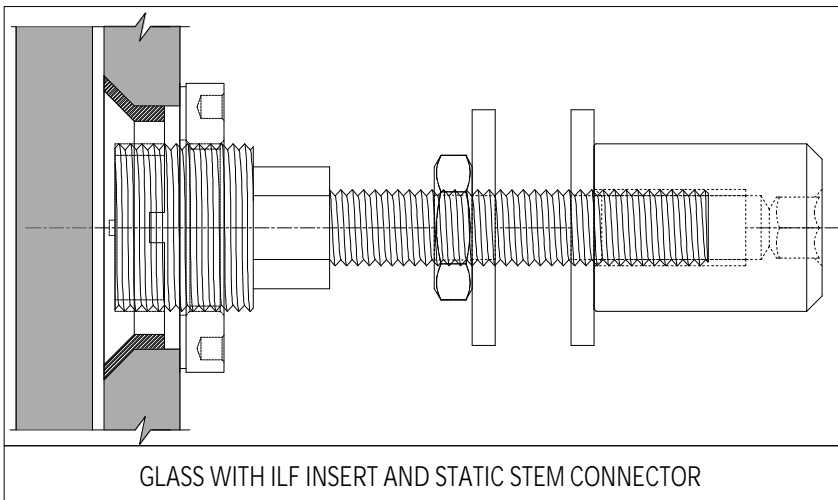


# NUPRESS ILF-SF INTEGRAL LAMINATED FITTING STATIC STEM GLASS CONNECTOR



| ILF-SF-M10-??-                  |   |
|---------------------------------|---|
| MATERIAL:                       | 316 STAINLESS STEEL   |
| FINISH:                         | MACHINE FINISH  |
| GLASS CONNECTION<br>STATIC STEM | STATIC STEM.<br><br>STATIC STEMS ARE AVAILABLE<br>VARIOUS SIZES LENGTHS AND DIAMETER<br>DEPENDING ON ENGINEERING<br>REQUIREMENTS. |
| GASKET<br>GLASS ISOLATOR        | NEOPRENE 0.8mm (1/32")<br>GASKET. BLACK FINISH  |



THESE DRAWINGS ARE FOR INFORMATION  
AND CAN NOT BE DEEMED AS  
ENGINEERED FOR USE IN PROJECT  
WITH OUT ENGINEERING CERTIFICATION.

NUPRESS GROUP NORTH AMERICA



Part No: **ILF-SF-M10-??**