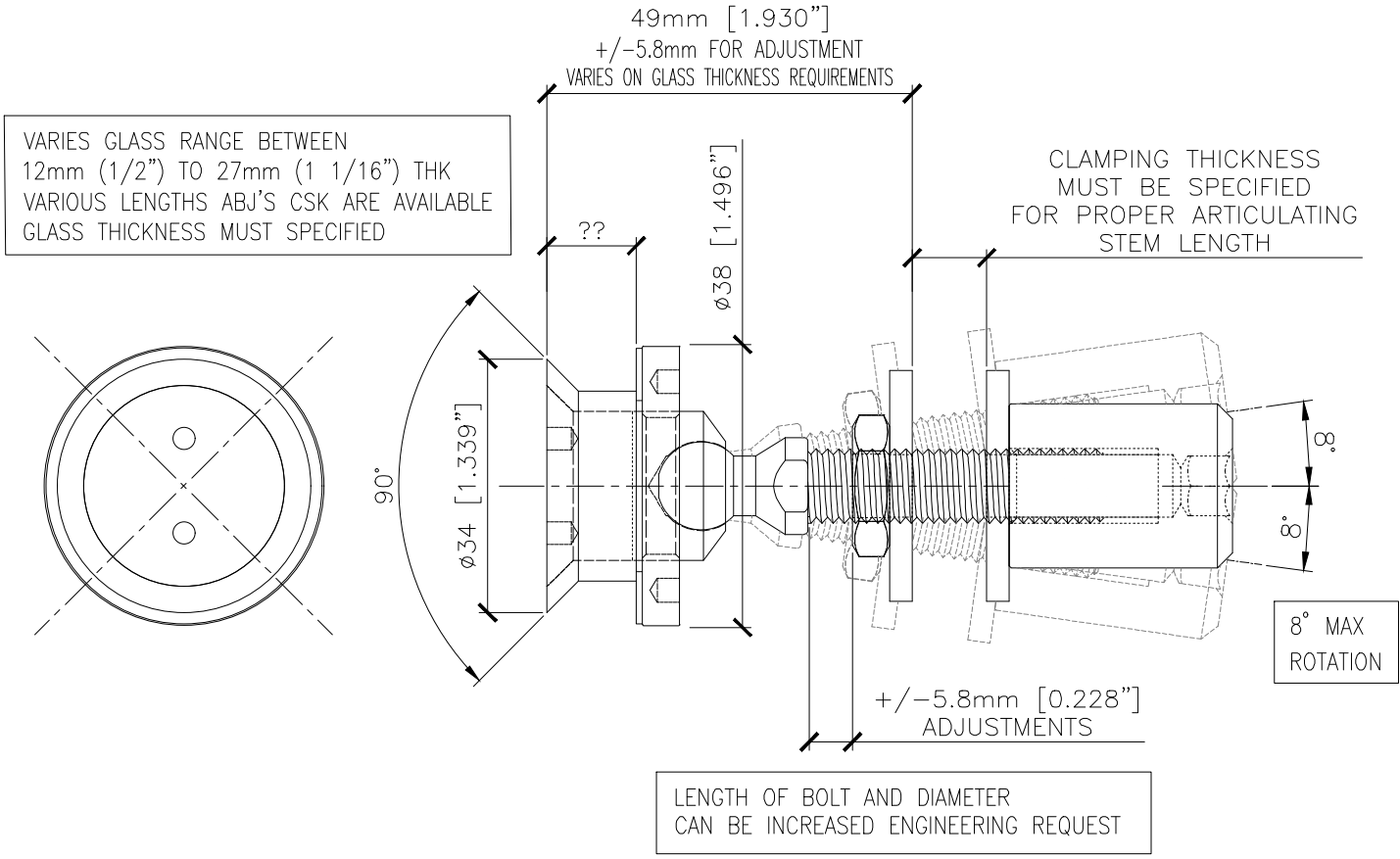
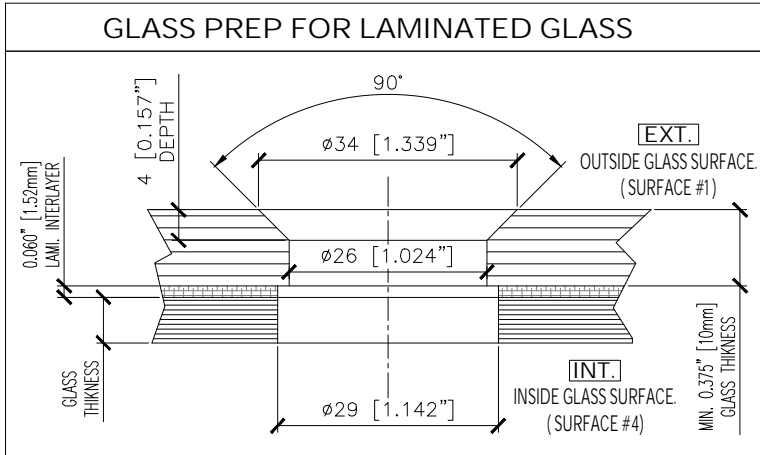


NUPRESS ABJ - ARTICULATING COUNTERSUNK GLASS CONNECTOR



| NP-ABJ-CSK-M10-??-?? | |
|---------------------------------------|--|
| MATERIAL: | 316 STAINLESS STEEL |
| FINISH: | MACHINE FINISH |
| GLASS CONNECTION ARTICULATION STEM | <p>ARTICULATING COUNTERSUNK ABJ COUNTERSUNK FITTING AVAILABLE FOR GLASS RANGE FROM 12mm (1/2") TO 27mm (1 1/16").</p> <p>ARTICULATING STEMS ARE AVAILABLE VARIOUS SIZES LENGTHS AND DIAMETER DEPENDING ON ENGINEERING REQUIREMENTS.</p> <p>MAX 8° ARTICULATION IN ANY DIRECTION IF REQ'D MORE CONTACT NUPRESS.</p> |
| GROMMET GLASS ISOLATOR | COUNTERSUNK ACETAL GROMMET BLACK FINISH |
| GASKET GLASS ISOLATOR | NEOPRENE 0.8mm (1/32") GASKET. BLACK FINISH |



* PRIOR FABRICATING GLASS, CONTACT NUPRESS TO VERIFY GLASS PREP.

THESE DRAWINGS ARE FOR INFORMATION AND CAN NOT BE DEEMED AS ENGINEERED FOR USE IN PROJECT WITH OUT ENGINEERING CERTIFICATION.

NUPRESS GROUP NORTH AMERICA

Part No: NP-ABJ-CSK-M10-??-??