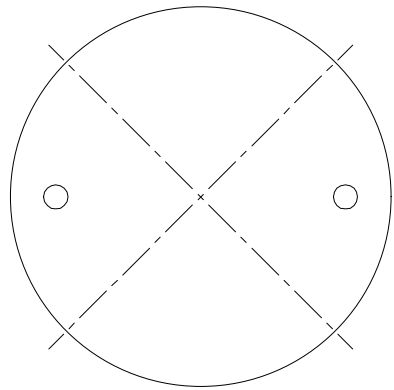


NUPRESS ABJ - ARTICULATING PROUD MOUNTED $\phi 50$ mm GLASS CONNECTOR

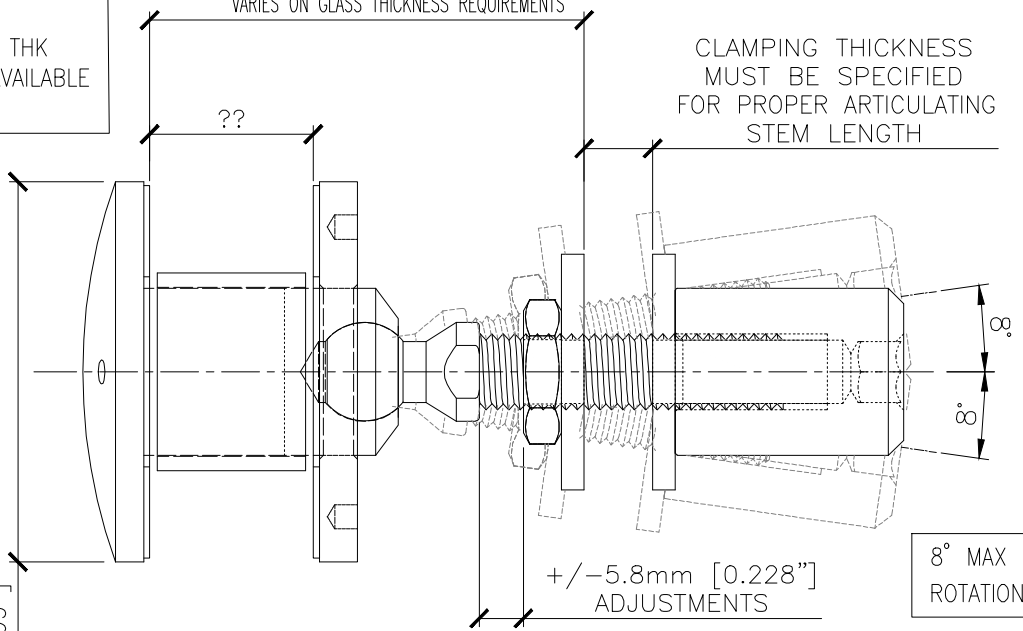
VARIABLES RANGE BETWEEN
12mm (1/2") TO 27mm (1 1/16") THK
VARIOUS LENGTHS GROMMETS ARE AVAILABLE
GLASS THICKNESS MUST SPECIFIED



$\phi 50$
[1.969"]

57.1mm [2.249"]
+/-5.8mm FOR ADJUSTMENT
VARIES ON GLASS THICKNESS REQUIREMENTS

CLAMPING THICKNESS
MUST BE SPECIFIED
FOR PROPER ARTICULATING
STEM LENGTH



+/-5.8mm [0.228"]
ADJUSTMENTS

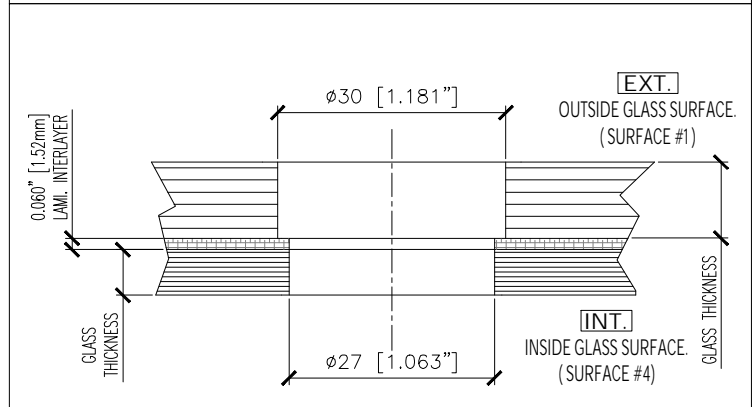
8° MAX
ROTATION

LENGTH OF BOLT AND DIAMETER
CAN BE INCREASED ENGINEERING REQUEST

NP-ABJ-PM-M10-50-??-??

MATERIAL:	316 STAINLESS STEEL
FINISH:	MACHINE FINISH
GLASS CONNECTION ARTICULATION STEM	<p>ARTICULATING COUNTERSUNK ABJ COUNTERSUNK FITTING AVAILABLE FOR GLASS RANGE FROM 12mm (1/2") TO 27mm (1 1/16").</p> <p>ARTICULATING STEMS ARE AVAILABLE VARIOUS SIZES LENGTHS AND DIAMETER DEPENDING ON ENGINEERING REQUIREMENTS.</p> <p>MAX 8° ARTICULATION IN ANY DIRECTION IF REQ'D MORE CONTACT NUPRESS.</p>
GROMMET GLASS ISOLATOR	COUNTERSUNK ACETAL GROMMET BLACK FINISH
GASKET GLASS ISOLATOR	NEOPRENE 0.8mm (1/32") GASKET. BLACK FINISH

GLASS PREP FOR LAMINATED GLASS



* PRIOR FABRICATING GLASS, CONTACT NUPRESS TO VERIFY GLASS PREP.

THESE DRAWINGS ARE FOR INFORMATION
AND CAN NOT BE DEEMED AS
ENGINEERED FOR USE IN PROJECT
WITH OUT ENGINEERING CERTIFICATION.

NUPRESS GROUP NORTH AMERICA



Part No: NP-ABJ-PM-M10-50-??-??